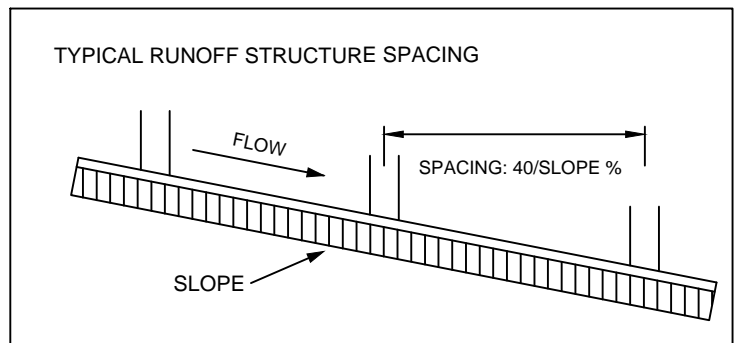
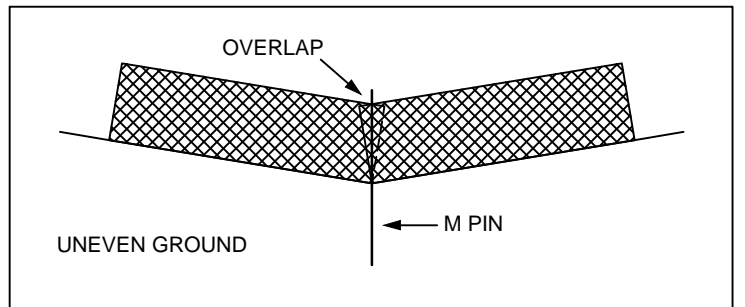
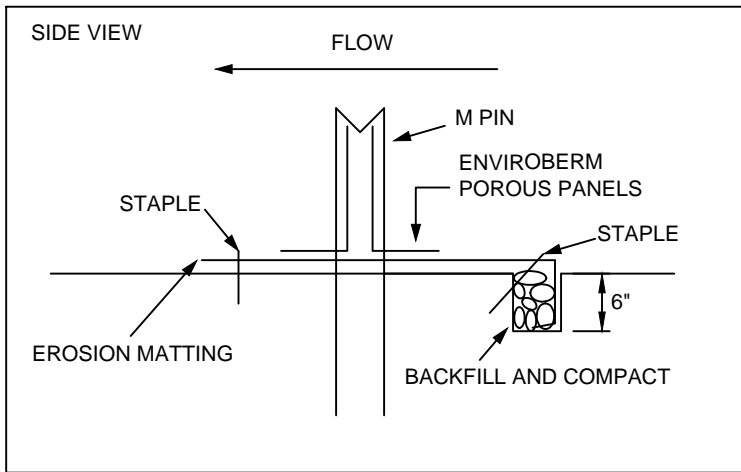
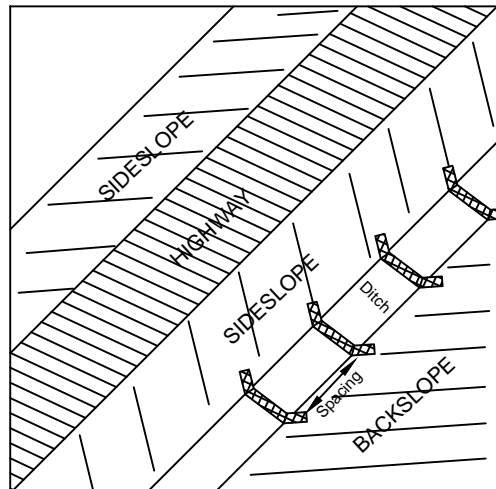
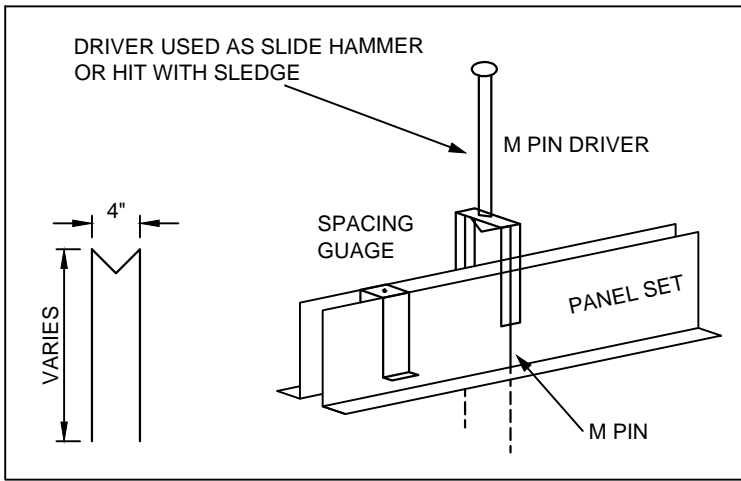
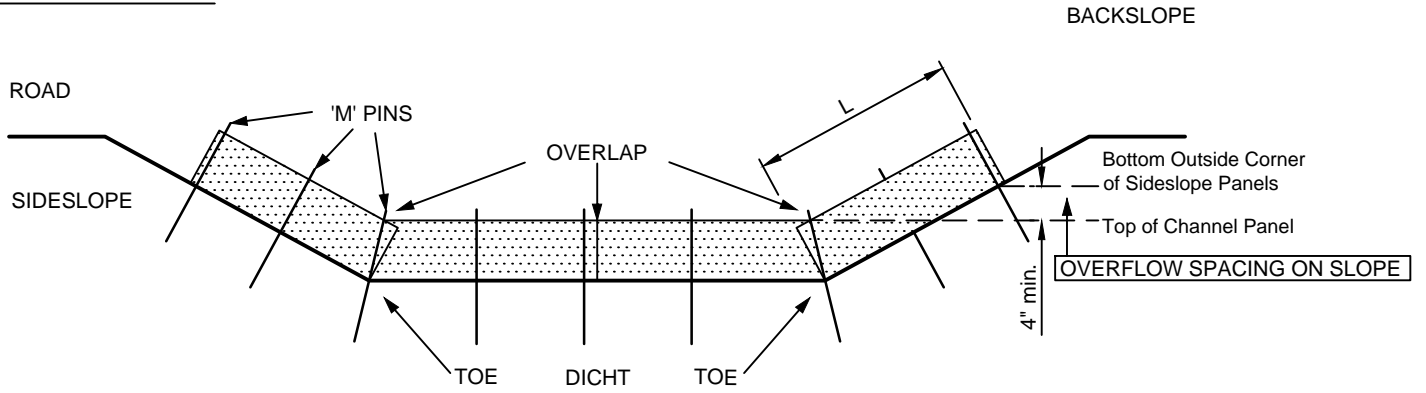


ENVIROBERM. CHECK DAM

(SESC-11)

FRONT VIEW



Minimum Installation Length up Slopes							
Slope	2:1	2.5:1	3:1	3.5:1	4:1	5:1	6:1
L (ft)	3.6	5	6.6	6.6	6.6	8.2	8.2